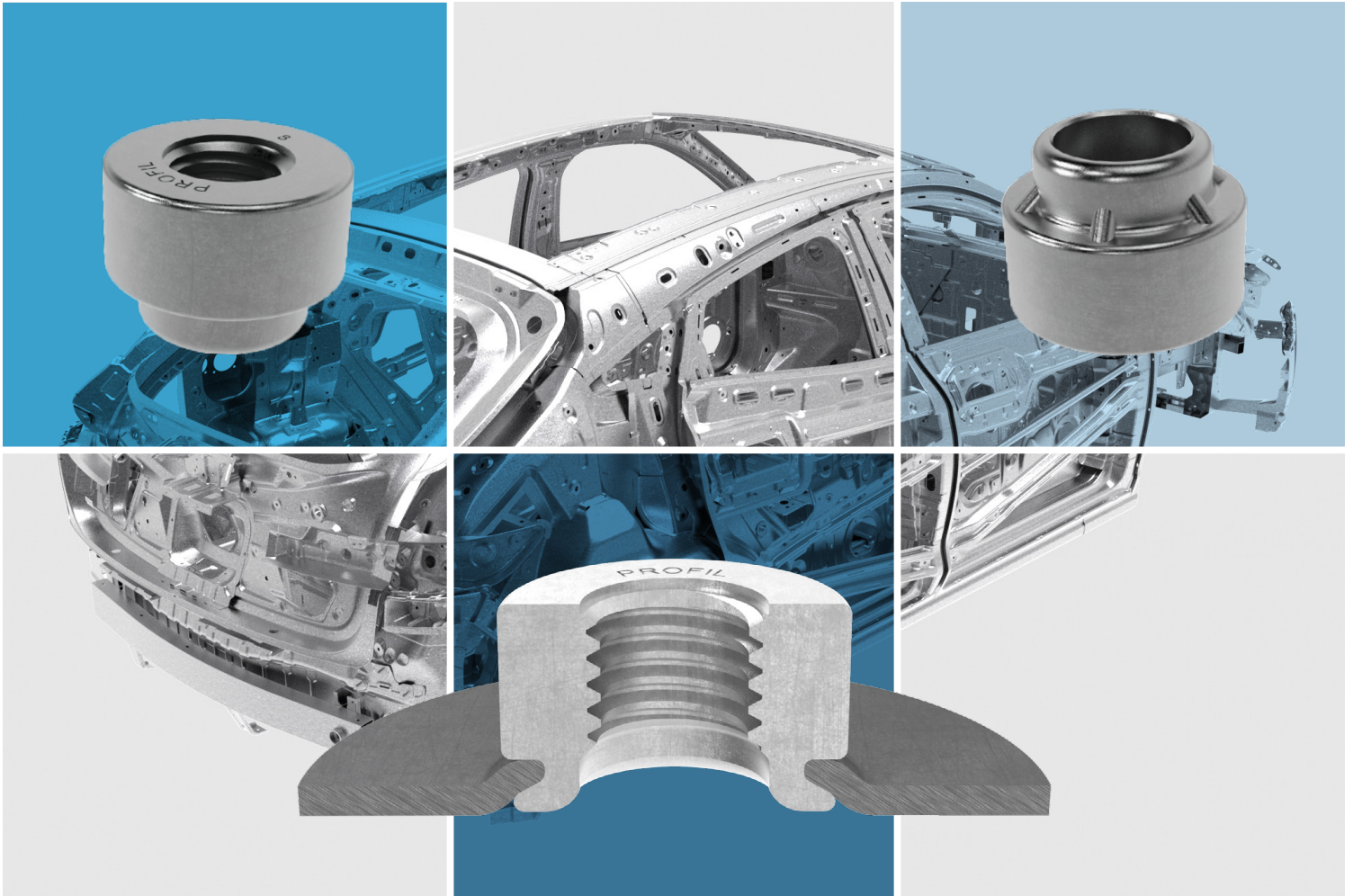
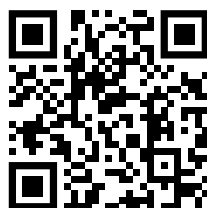


PROFIL® RSN™ Rivet Nut



Your System Supplier for Mechanically Attached Fasteners (MAF)



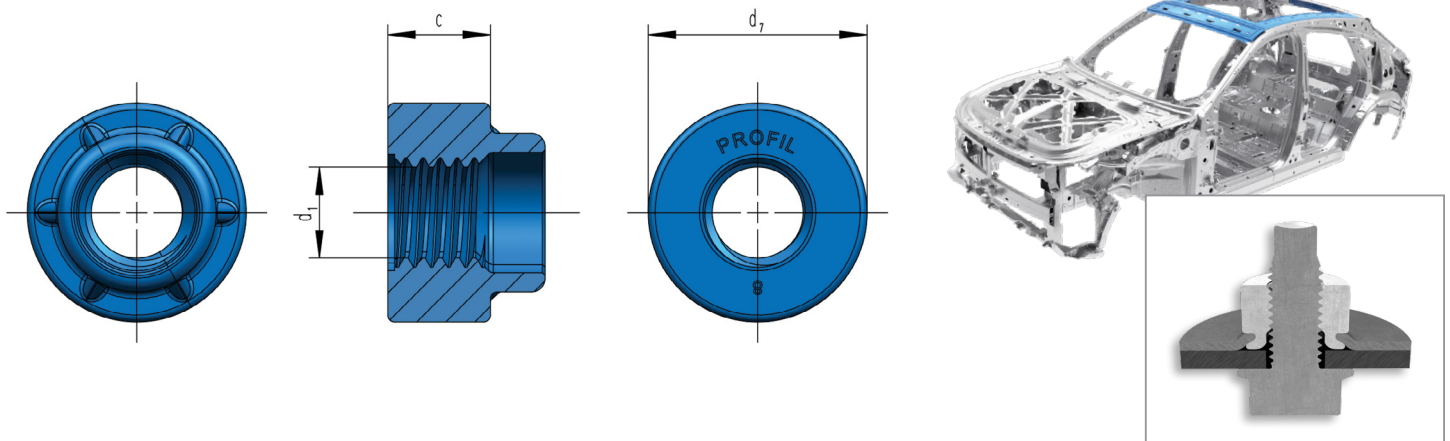
Scan QR Code for More Information

PROFIL® RSN™ Rivet Nut

Technical Product Data Sheet

Thread size	M5 to M14*
Thread tolerance	6G 6H*
Property class	8 or 10*
Panel thickness	From 0.8 mm to 4 mm*
Panel tensile strength	Up to 600 MPa (Class 8 Nut) up to 1000 MPa (Class 10 Nut)
Panel preparation	Pre-pierced and pre-formed
Geometrically conforming to	DIN EN ISO 898-2:2012-08
Surface coating	OEM approved
Watertightness	Leak rate <math> < 5 \cdot 10^{-3}</math> mbar · l/s (IP67)
Thread repair	Repairable with standard wire thread inserts
Torque resistance	High
Push-out resistance	High
Installation methods available	Fully automated in die, Body in White (BIW), Manual

*In case of deviation requirement contact us



Body	RSN0608	RSN0609	RSN08	RSN10	RSN12	RSN14
Thread d ₁	M5	M5 M6	M8	M10	M12	M14
Pitch	0.8	0.8 1.0	1.25	1.25 1.5	1.75	2.0
Panel thickness [mm]	0.8 to 3.0	0.8 to 3.0	0.8 to 3.5	1.0 to 4.0	1.0 to 4.0	1.0 to 4.0
d ₇ [mm]	12.9		16.0	19.0	23.0	26.0
c [mm]	4.8	5.5	7.5	9.6	11.5	14.0

PROFIL System Inc.
5331 Dixie Highway
Waterford, Mi 48329 USA
Tel: +1 248 599 3700
Email:
sales.profil.na@pemnet.com

PROFIL Verbindungstechnik
GmbH & Co. KG
Otto-Hahn-Straße 22 - 24
61381 Friedrichsdorf DE
Tel: +49 (0) 61 75 / 79 90
Email: info@profil.eu

PROFIL China
1895 West Zhonghuayuan Road
Kunshan New District
Jiangsu Prov. 215300 China
Tel: +86 512-5035-9080
email: info@profil.eu