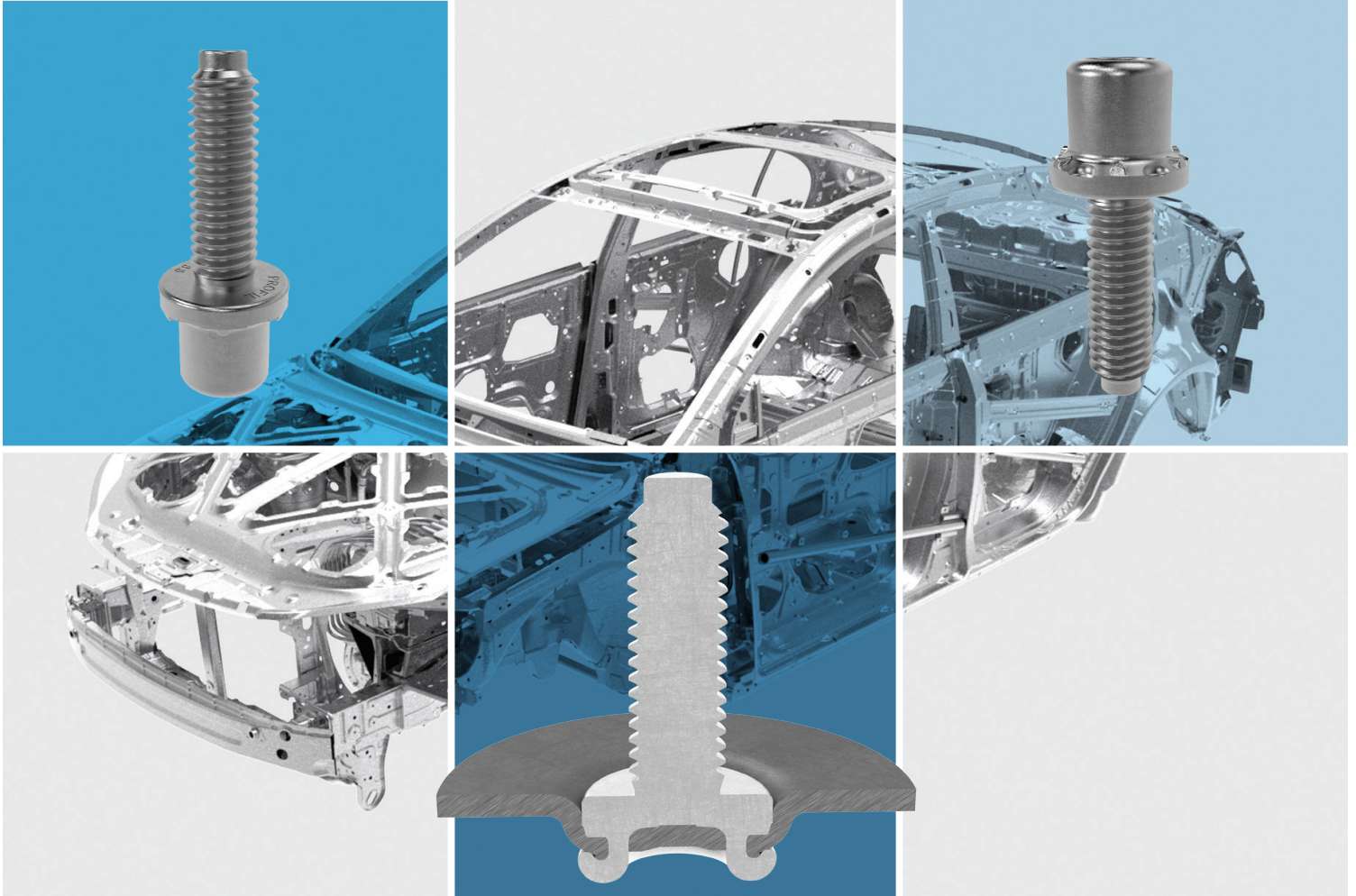
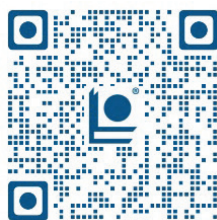


## PROFIL SBF® Rivet Stud



Your System Supplier for **Mechanically Attached Fasteners (MAF)**

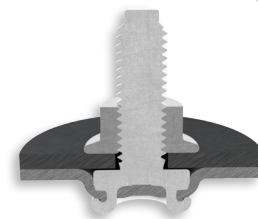
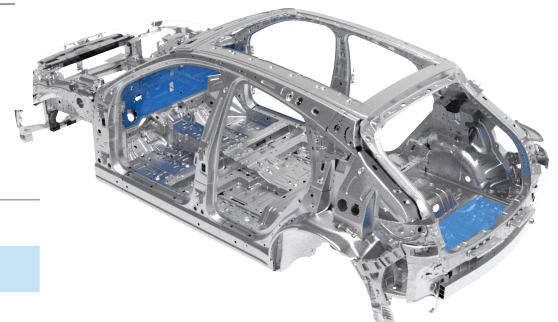
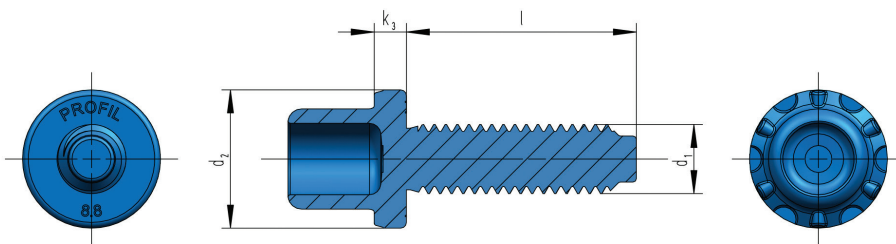


Scan QR code for more information

# PROFIL SBF® Rivet Stud

## Technical Product Data Sheet

Thread size	M5 to M10
Thread tolerance	6h
Property class	10.9
Panel thickness	From 0.6 mm to 3.5 mm
Panel tensile strength	Up to 700 MPa (Class 10.9)   up to 1000 MPa (in case of pre-pierced panel)
Panel preparation	Not required (self-piercing fastener)   pre-pierced
Geometrically conforming to	DIN EN ISO 898-1:2013-05
Surface coating	OEM approved
Watertightness	Leak rate <math> < 5 \cdot 10^{-3}</math> mbar · l/s (IPX7)
Torque-out resistance	High
Pull-through resistance	High
Pull-out resistance	High
Push-out resistance	Middle
Side-load resistance	High
Installation methods available	Fully automated in die, Body in White (BIW), Manual



Body	SBF05	SBF06	SBF08	SBF10
Thread $d_1$	M5	M6	M8	M10
Pitch	0.8	1.0	1.25	1.75
Panel thickness [mm]	0.6 to 2.0	0.6 to 2.0	0.8 to 2.0	1.0 to 3.5
$d_2$ [mm]	12.0		15.5	19.0
$k_3$ [mm]				
$l_{min}$ [mm]	10	10	10	15
$l_{max}$ [mm]	30	30	40	40



**PROFIL System Inc.**  
 5331 Dixie Highway  
 Waterford, MI 48329 USA  
 Tel: +1 248 599 3700  
 Email:  
[sales.profil.na@pemnet.com](mailto:sales.profil.na@pemnet.com)

**PROFIL Verbindungstechnik**  
 GmbH & Co. KG  
 Otto-Hahn-Straße 22 - 24  
 61381 Friedrichsdorf DE  
 Tel: +49 (0) 61 75 / 79 90  
 Email: [info@profil.eu](mailto:info@profil.eu)

**PROFIL China**  
 1895 West Zhonghuayuan Road  
 Kunshan New District  
 Jiangsu Prov. 215300 China  
 Tel: +86 512-5035-9080  
 email: [info@profil.eu](mailto:info@profil.eu)