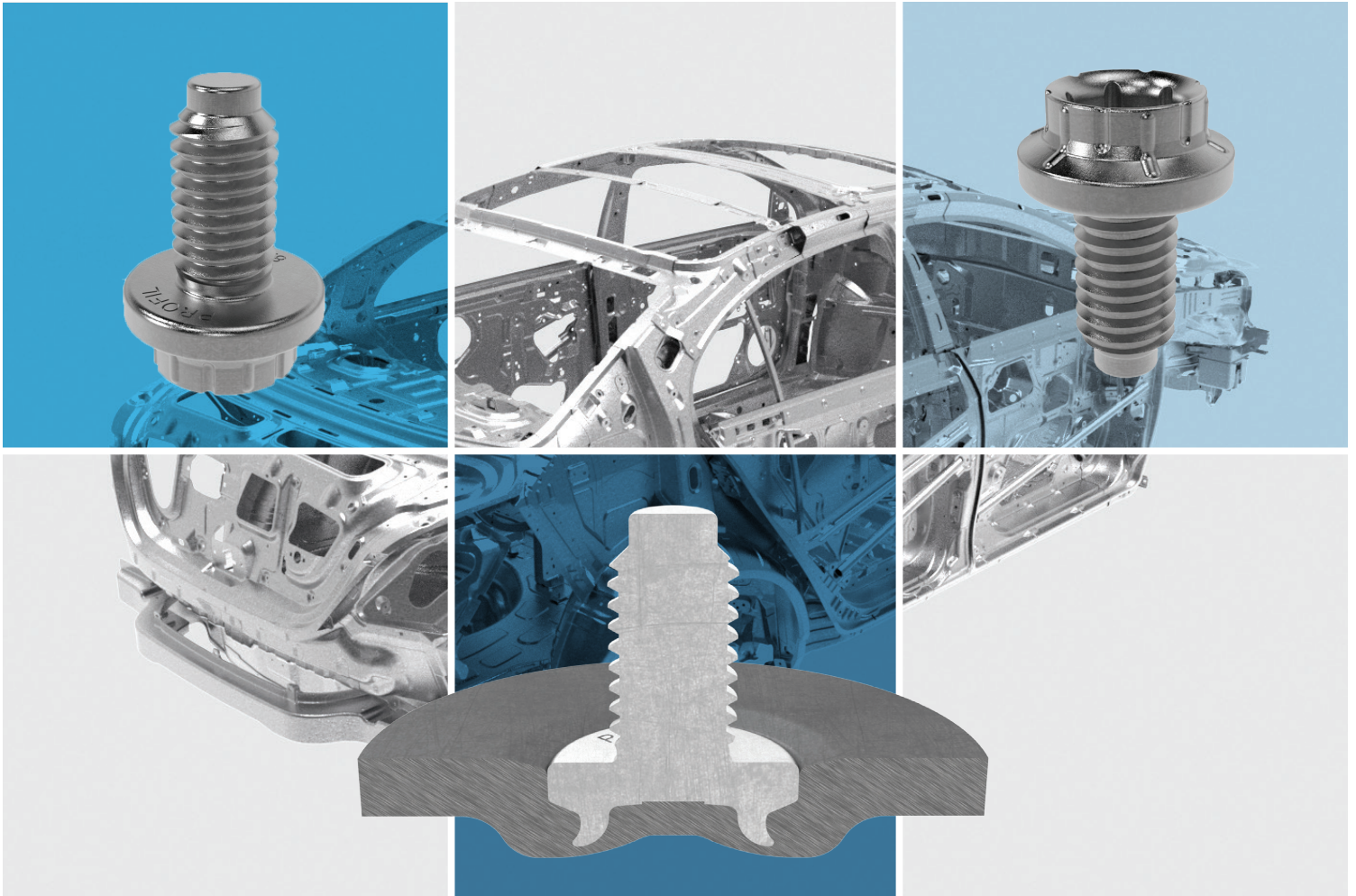
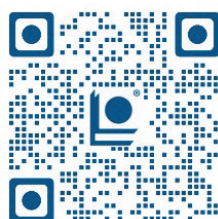


PROFIL SBF®-H Rivet Stud



Your System Supplier for Mechanically Attached Fasteners (MAF)

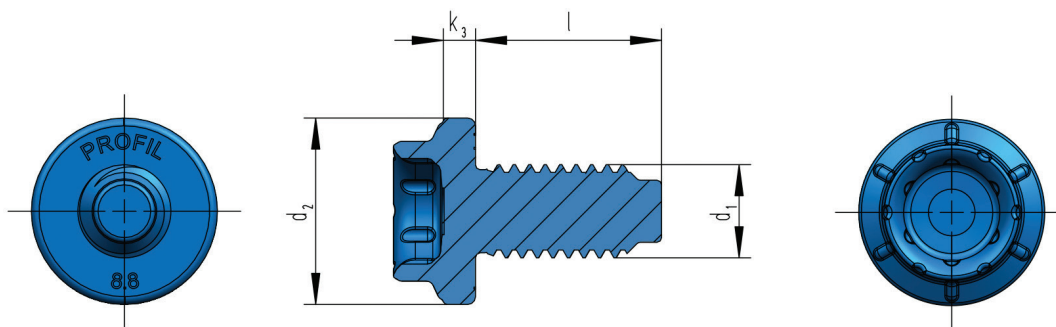


Scan QR code for more information

PROFIL SBF®-H Rivet Stud

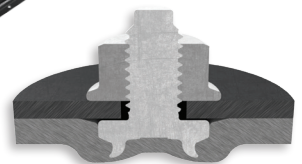
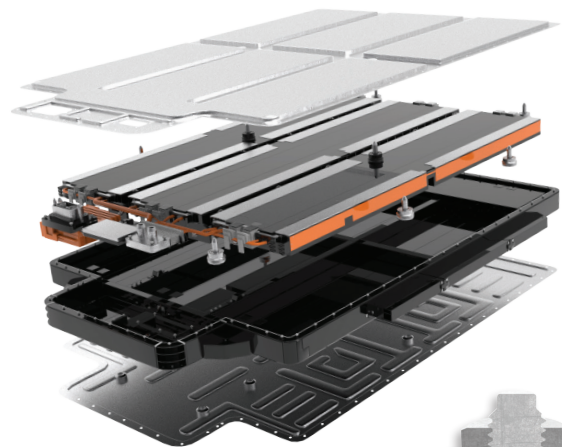
Technical Product Data Sheet

Thread size	M6
Thread tolerance	6h
Property class	8.8 or 10.9
Panel thickness	From 2.2 mm
Panel tensile strength	Aluminum alloys
Panel preparation	Not required (self-piercing fastener)
Geometrically conforming to	DIN EN ISO 898-1:2013-05
Surface coating	OEM approved
Watertightness	100 % tight
Torque-out resistance	High
Pull-out resistance	High
Push-out resistance	High
Side-load resistance	Middle
Installation methods available	Fully automated in die, Body in White (BIW), Manual



Body	SBF-H06
Thread d_1	M6*
Pitch	1.0
Panel thickness [mm]	from 2.2
d_2 [mm]	12
l [mm]	10*
k_3 [mm]	2

*Other types of threads and lengths can be specified by the customer



PROFIL System Inc.
 5331 Dixie Highway
 Waterford, MI 48329 USA
 Tel: +1 248 599 3700
 Email:
sales.profil.na@pemnet.com

PROFIL Verbindungstechnik
 GmbH & Co. KG
 Otto-Hahn-Straße 22 - 24
 61381 Friedrichsdorf DE
 Tel: +49 (0) 61 75 / 79 90
 Email: info@profil.eu

PROFIL China
 1895 West Zhonghuayuan Road
 Kunshan New District
 Jiangsu Prov. 215300 China
 Tel: +86 512-5035-9080
 email: info@profil.eu